

Data Sheet

Main switches for surface mounting

CAT NO. **B135, B165, B180, F135, F180, B265, B280, F265, F280, B335, B365, B380, F380**



A brand of **legrand**



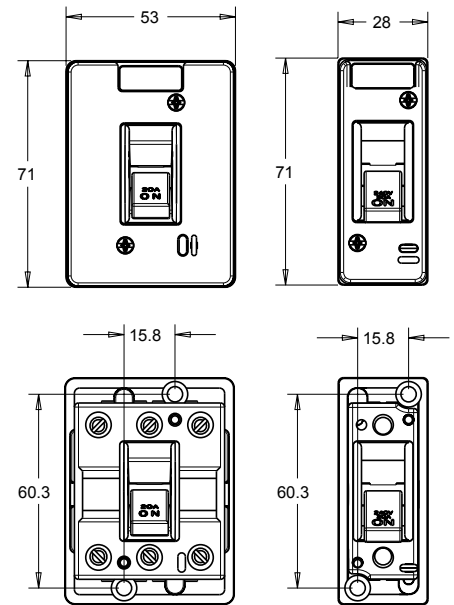
F180



F380

Main switches for surface mounting		
Cat. No.	Description	Supply Voltage
1 pole		
B135	35A, 1 pole, back entry main switch	240V ~
B165	65A, 1 pole, back entry main switch	240V ~
B180	80A, 1 pole, back entry main switch	240V ~
F135	35A, 1 pole, front entry main switch	240V ~
F180	80A, 1 pole, front entry main switch	240V ~
2 pole		
B265	65A, 2 pole, back entry main switch	415V ~
B280	80A, 2 pole, back entry main switch	415V ~
F265	65A, 2 pole, front entry main switch	415V ~
F280	80A, 2 pole, front entry main switch	415V ~
3 pole		
B335	35A, 3 pole, back entry main switch	415V ~
B365	65A, 3 pole, back entry main switch	415V ~
B380	80A, 3 pole, back entry main switch	415V ~
F380	80A, 3 pole, front entry main switch	415V ~

Frame size and mounting holes



B3xx/F3xx/B2xx/F2xx

B1xx/F1xx

- Switch-disconnector: suitable for isolation, making and breaking current
- Heavy duty, double break silver contacts.
- Tunnel-type terminals accept up to 25mm² conductors.
- Line and load side terminals screws can be sealed off as per distributor requirements.
- Provision for insertion of (Ø5mm max) padlock for lockable means of isolation.

Main switches for surface mounting

CAT NO. **B135, B165, B180, F135, F180, B265, B280, F265, F280, B335, B365, B380, F380**



A brand of **legrand**

Product specifications	B380/F380	B280/F280	B180/F180	B135/F135	B165	B265/F265	B335/F335	B365
Function	Switch-disconnector							
Suitability for isolation	Yes							
Degree of protection	IP20							
Current type	50Hz	50Hz	50Hz	50Hz	50Hz	50Hz	50Hz	50Hz
No of positions of main contacts	2							
Operational voltage (Ue)	415/440V	415/440V	250V	250V	250V	415/440V	415/440V	415/440V
Rated operational current at 40°C	80A			35A	65A		35A	65A
Rated duty	Uninterrupted duty							
Rated impulse withstand voltage (Uimp)	4kV							
Rated insulation voltage (Ui)	415/440V	415/440V	250V	250V	250V	415/440V	415/440V	415/440V
Pollution degree	III							
Utilization category	AC-21B							
Rated short-time current withstand (Icw)	1kA							
Cable entry and Terminal size	"B1xx/B2xx/B3xx - rear entry F1xx/F2xx/F3xx - top & bottom knockouts (Ø9mm)" Accept conductors up to 25mm ²							

Single product		Single box				Outer box			
Cat. No.	Dimensions (W x L x H)	QTY	Dimensions (W x D x H)	Weight (g)	Barcode	QTY	Dimensions (W x D x H)	Weight (g)	Barcode
1 pole									
B135	28 x 71 x 49mm	1	97 x 97 x 45mm	93.3	9321001059820	12	205 x 205 x 160mm	1312.9	9321001413257
B165	28 x 71 x 49mm	1	97 x 97 x 45mm	93.3	9321001059882	12	205 x 205 x 160mm	1312.9	9321001413264
B180	28 x 71 x 49mm	1	97 x 97 x 45mm	93.3	9321001059936	12	205 x 205 x 160mm	1312.9	9321001413271
F135	28 x 71 x 49mm	1	97 x 97 x 45mm	108.5	9321001076780	12	205 x 205 x 160mm	1495.3	9321001413288
F180	28 x 71 x 49mm	1	97 x 97 x 45mm	108.5	9321001076865	12	205 x 205 x 160mm	1495.3	9321001413295
2 pole									
B265	53 x 71 x 49mm	1	97 x 97 x 45mm	152.2	9321001060062	12	205 x 205 x 160mm	2019.7	9321001413318
B280	53 x 71 x 49mm	1	97 x 97 x 45mm	152.2	9321001060116	12	205 x 205 x 160mm	2019.7	9321001413325
F265	53 x 71 x 49mm	1	97 x 97 x 45mm	135.2	9321001076957	12	205 x 205 x 160mm	1815.7	9321001413332
F280	53 x 71 x 49mm	1	97 x 97 x 45mm	135.2	9321001076995	12	205 x 205 x 160mm	1815.7	9321001413349
3 pole									
B335	53 x 71 x 49mm	1	97 x 97 x 45mm	171.2	9321001060185	12	205 x 205 x 160mm	2247.7	9321001413356
B365	53 x 71 x 49mm	1	97 x 97 x 45mm	171.2	9321001060246	12	205 x 205 x 160mm	2247.7	9321001413363
B380	53 x 71 x 49mm	1	97 x 97 x 45mm	171.2	9321001060314	12	205 x 205 x 160mm	2247.7	9321001413370
F380	53 x 71 x 49mm	1	97 x 97 x 45mm	189.4	9321001077114	12	205 x 205 x 160mm	2466.1	9321001413394

Legrand - Australia
1300 369 777
www.legrand.com.au
ABN 31 000 102 661

Refer to your group buying office, Legrand Sales Representative or
Legrand Sales Office for pricing.

Legrand - New Zealand
0800 476 009
www.legrand.co.nz

Please note: specifications are subject to change without prior notice.